

libero



*mia* **MODA**

**MY LIFE • MY WAY • MY STYLE**

Please read this owner's manual carefully and keep it in a safe place.

Owner's  
Manual

Mia Moda Model No: 1300

Dear Customer,

Congratulations on the purchase of your Mia Moda Stroller. We are pleased that you have chosen one of our products and hope that you will be completely satisfied with the service you receive from the product. We advise you to read the Instruction Leaflet carefully before use of the stroller and then to keep it in a safe place. If you fail to do this the safety of your child can be jeopardized. Kindly pay attention to the washing and care instructions so that you enjoy long and trouble free use of your new purchase.

Your Mia Moda team

### Hints for care and use

1. Each product frame is manufactured according to ASTM-F833 standards. To maintain the safety of your product, the moving components must be lubricated regularly and if required rivetted.

Note: Use only silicon-oil or silicon-spray for oiling.

2. Regular care and maintenance contribute to the safety and longevity of your product. Environmental influences such as salty air, road strewn salt or acid rain as well as outdoor storage contribute towards corrosion. Therefore always store your stroller indoors.

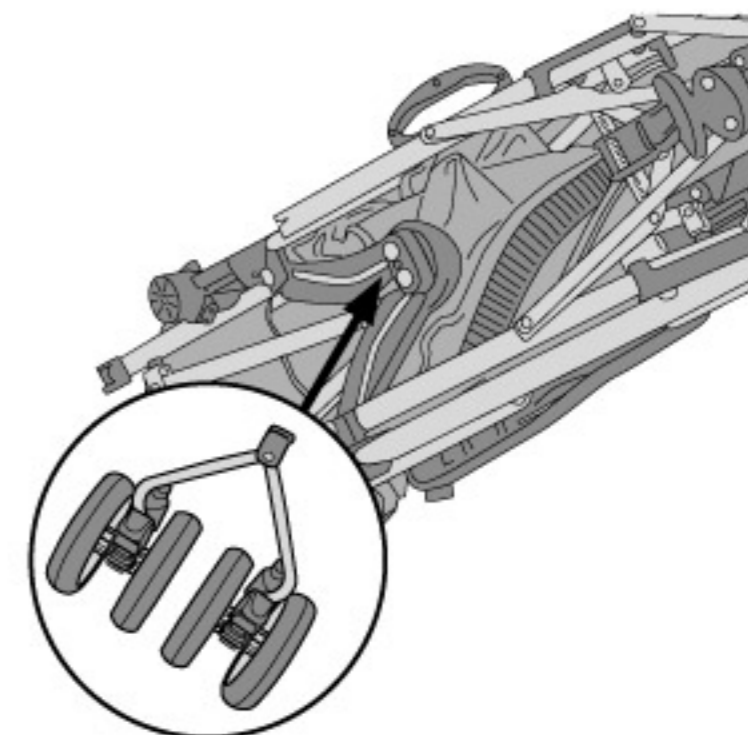
3. We recommend regular maintenance of all varnished components. Should the frame and varnished components become soiled use a damp cloth moistened with water diluted mild detergent to wipe away the dirt.

## PREPARATION FOR USE

### Attaching the back wheels

---

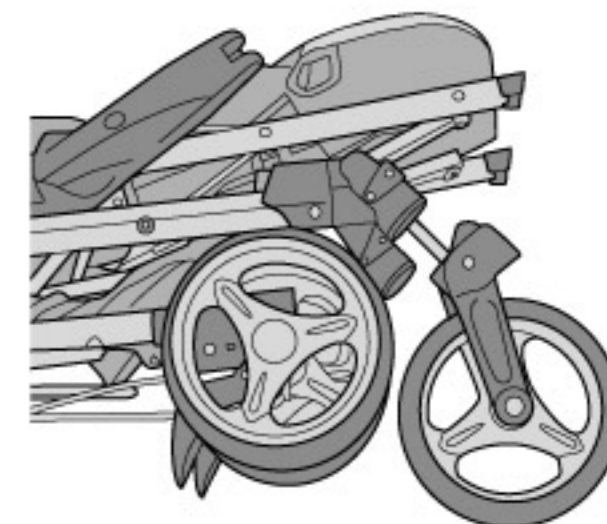
- 1 Place the chassis on a flat surface with the rear of the backrest facing upwards.
- 2 Slide the wheel joints over the ends of the back legs of the chassis. Make sure that the hooked clip in the centre of the axle is pointing downwards and towards the chassis. Click each wheel into place.
- 3 Press the clip on the axle onto the hook on the back of the chassis until it clicks into place. Pull gently on each wheel to make sure it is secure.



### Attaching the front wheels

---

- 1 Insert the rod on each wheel into the wheel joints of the front legs.
- 2 Push firmly until each wheel clicks into place.
- 3 Pull gently on each wheel to ensure it is secure.



## PREPARATION FOR USE

### Unfolding the chassis

---

- 1 Lift the stroller holding the handlebars, as you would to push it.
- 2 On each handlebar is a circular release clip. Pull both upwards. This will release the folding clip.
- 3 Place your foot firmly on the small ledge on the backrest and push while pulling the handlebars towards you to fully open the chassis.
- 4 Click the bottom end of each frame into place above the front wheel joint.

#### **▲ WARNING**

Make sure that the bottom end of each handlebar is clicked firmly in place before using the stroller.



## PREPARATION FOR USE

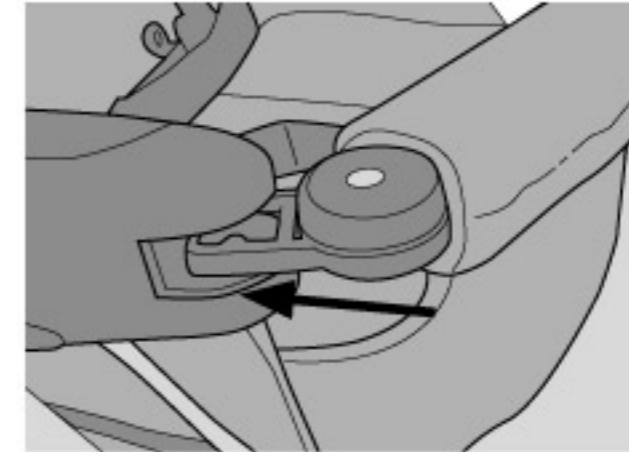
### Attaching the bumper bar

---

Insert the ends of the bumper bar into the slots at the end of each armrest with the release button facing downwards.

If the ends don't click into place, you may be inserting the bumper bar upside down. Check the bumper bar is securely in place by pulling on it.

To remove, push in the release buttons underneath the armrests on each side and pull the bumper bar away from the arm.



### Attaching the canopy

---

- 1 Slide the clasps, located at the base of the canopy frame, into the slots directly above the armrests on both sides of the stroller.
- 2 Push them into place until you hear a click pull gently on the frame of the canopy to ensure it is secure. Secure the fabric ends of the canopy underneath the arms of the stroller using the hook and loop fasteners.



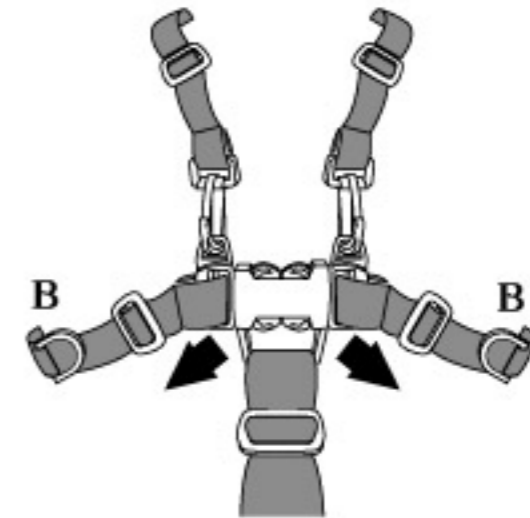
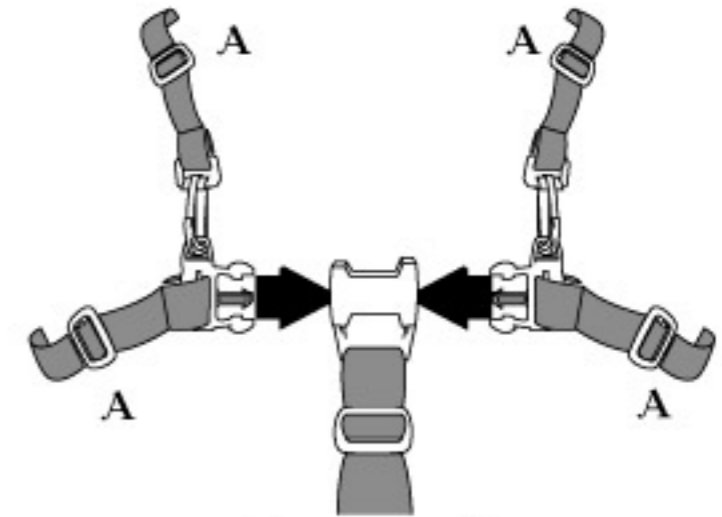
## IN USE

### Fitting the harness

---

Your child must always be harnessed in and should never be left unattended, even for short periods of time.

- 1 To attach the harness  
Insert both fasteners securely into the clasp.  
Adjust each strap length with buckles (A).
- 2 To undo the harness  
Press the fastener prongs and pull apart.



### Operating the brake

---

- 1 Push down firmly on either of the brake levers above the rear wheels to engage the brake. Check the brake is on by gently pushing the stroller.
- 2 To release the brake, lift either of the brake levers up.



